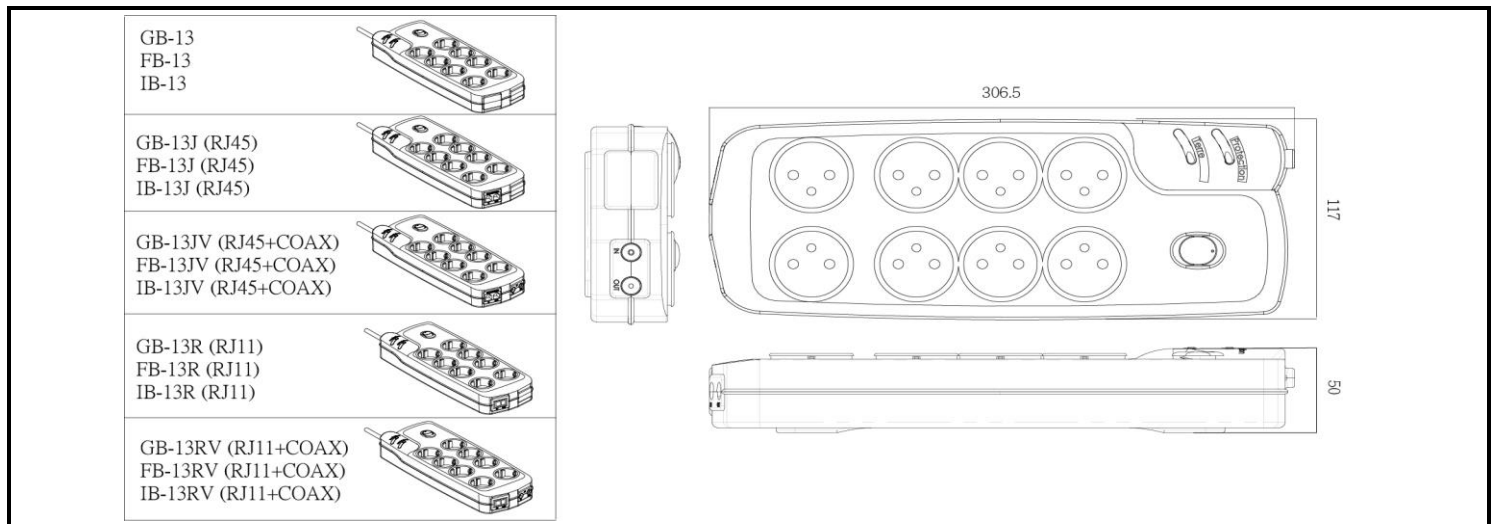


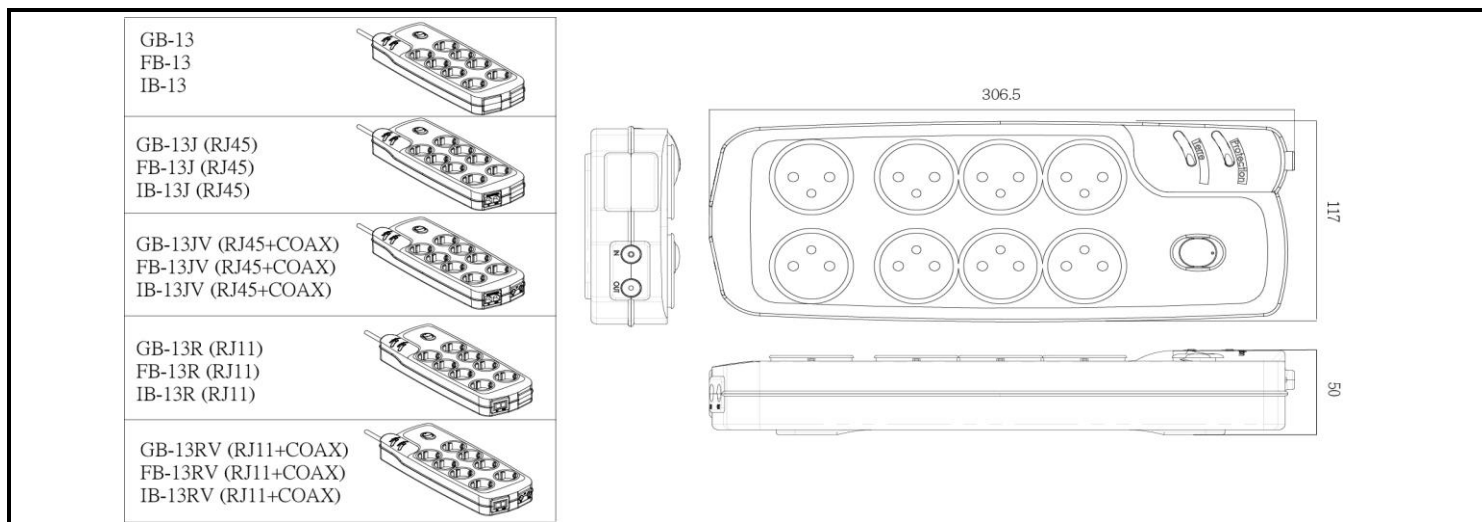
### 8 Outlet Surge Strip

Part No.	GB-13	GB-13J	GB-13JV	GB-13R	GB-13RV
<b>Electrical rating</b>	250V/10A /2500W	250V/10A /2500W	250V/10A /2500W	250V/10A /2500W	250V/10A /2500W
<b>Housing Material</b>	Plastic	Plastic	Plastic	Plastic	Plastic
<b>AC Outlets</b>	8	8	8	8	8
<b>AC Outlet Type</b>	schuko	schuko	schuko	schuko	schuko
<b>Plug type</b>	schuko	schuko	schuko	schuko	schuko
<b>AC Cord Specs</b>	H05VV-F 3G 1.00MM <sup>2</sup> / H05VV-F 3G 1.50MM <sup>2</sup>	H05VV-F 3G 1.00MM <sup>2</sup> / H05VV-F 3G 1.50MM <sup>2</sup>	H05VV-F 3G 1.00MM <sup>2</sup> / H05VV-F 3G 1.50MM <sup>2</sup>	H05VV-F 3G 1.00MM <sup>2</sup> / H05VV-F 3G 1.50MM <sup>2</sup>	H05VV-F 3G 1.00MM <sup>2</sup> / H05VV-F 3G 1.50MM <sup>2</sup>
<b>Power Cord Length</b>	1.8m	1.8m	1.8m	1.8m	1.8m
<b>Overload Protection</b>	10 Amps	10 Amps	10 Amps	10 Amps	10 Amps
<b>Circuit Breaker Switch</b>	Yes	Yes	Yes	Yes	Yes
<b>Power Shutdown Protection</b>	Yes	Yes	Yes	Yes	Yes
<b>Max. Joules Rating</b>	2280 Joules	2280 Joules	2280 Joules	2280 Joules	2280 Joules
<b>Max. Spike Current</b>	39000A	39000A	39000A	39000A	39000A
<b>Max. Spike Voltage</b>	6500V	6000V	6000V	6000V	6000V
<b>Clamping Voltage (VPR)</b>	600V	775V	775V	775V	775V
<b>Response Time</b>	< 1 nanosecond	< 1 nanosecond	< 1 nanosecond	< 1 nanosecond	< 1 nanosecond
<b>Surge Protection Indicator</b>	Yes	Yes	Yes	Yes	Yes
<b>Grounded Indicator</b>	Yes	Yes	Yes	Yes	Yes
<b>EMI/ RFI Noise Filter</b>	Attenuation Up to 20 dB Freq. 150Khz to 30Mhz	Attenuation Up to 20 dB Freq. 150Khz to 30Mhz	Attenuation Up to 20 dB Freq. 150Khz to 30Mhz	Attenuation Up to 20 dB Freq. 150Khz to 30Mhz	Attenuation Up to 20 dB Freq. 150Khz to 30Mhz
<b>USB Charger</b>	N/A	N/A	N/A	N/A	N/A
<b>Phone/Network Protector</b>	N/A	RJ45 : 1 in-1 out	RJ45 : 1 in-1 out	RJ45 : 1 in-1 out	RJ45 : 1 in-1 out
<b>Coax Protection</b>	N/A	N/A	F Connector	N/A	F Connector
<b>Product Dimension</b>	L306.5xW117xH50mm	L306.5xW117xH50mm	L306.5xW117xH50mm	L306.5xW117xH50mm	L306.5xW117xH50mm



### 8 Outlet Surge Strip

Part No.	FB-13	FB-13J	FB-13JV	FB-13R	FB-13RV
<b>Electrical rating</b>	250V/10A /2500W	250V/10A /2500W	250V/10A /2500W	250V/10A /2500W	250V/10A /2500W
<b>Housing Material</b>	Plastic	Plastic	Plastic	Plastic	Plastic
<b>AC Outlets</b>	8	8	8	8	8
<b>AC Outlet Type</b>	French	French	French	French	French
<b>Plug type</b>	French	French	French	French	French
<b>AC Cord Specs</b>	H05VV-F 3G 1.00MM <sup>2</sup> / H05VV-F 3G 1.50MM <sup>2</sup>	H05VV-F 3G 1.00MM <sup>2</sup> / H05VV-F 3G 1.50MM <sup>2</sup>	H05VV-F 3G 1.00MM <sup>2</sup> / H05VV-F 3G 1.50MM <sup>2</sup>	H05VV-F 3G 1.00MM <sup>2</sup> / H05VV-F 3G 1.50MM <sup>2</sup>	H05VV-F 3G 1.00MM <sup>2</sup> / H05VV-F 3G 1.50MM <sup>2</sup>
<b>Power Cord Length</b>	1.8m	1.8m	1.8m	1.8m	1.8m
<b>Overload Protection</b>	10 Amps	10 Amps	10 Amps	10 Amps	10 Amps
<b>Circuit Breaker Switch</b>	Yes	Yes	Yes	Yes	Yes
<b>Power Shutdown Protection</b>	Yes	Yes	Yes	Yes	Yes
<b>Max. Joules Rating</b>	2280 Joules	2280 Joules	2280 Joules	2280 Joules	2280 Joules
<b>Max. Spike Current</b>	39000A	39000A	39000A	39000A	39000A
<b>Max. Spike Voltage</b>	6500V	6000V	6000V	6000V	6000V
<b>Clamping Voltage (VPR)</b>	600V	775V	775V	775V	775V
<b>Response Time</b>	< 1 nanosecond	< 1 nanosecond	< 1 nanosecond	< 1 nanosecond	< 1 nanosecond
<b>Surge Protection Indicator</b>	Yes	Yes	Yes	Yes	Yes
<b>Grounded Indicator</b>	Yes	Yes	Yes	Yes	Yes
<b>EMI/ RFI Noise Filter</b>	Attenuation Up to 20 dB Freq. 150Khz to 30Mhz	Attenuation Up to 20 dB Freq. 150Khz to 30Mhz	Attenuation Up to 20 dB Freq. 150Khz to 30Mhz	Attenuation Up to 20 dB Freq. 150Khz to 30Mhz	Attenuation Up to 20 dB Freq. 150Khz to 30Mhz
<b>USB Charger</b>	N/A	N/A	N/A	N/A	N/A
<b>Phone/Network Protector</b>	N/A	RJ45 : 1 in-1 out	RJ45 : 1 in-1 out	RJ45 : 1 in-1 out	RJ45 : 1 in-1 out
<b>Coax Protection</b>	N/A	N/A	F Connector	N/A	F Connector
<b>Product Dimension</b>	L306.5xW117xH50mm	L306.5xW117xH50mm	L306.5xW117xH50mm	L306.5xW117xH50mm	L306.5xW117xH50mm



### 8 Outlet Surge Strip

Part No.	IB-13	IB-13J	IB-13JV	IB-13R	IB-13RV
<b>Electrical rating</b>	250V/10A /2500W	250V/10A /2500W	250V/10A /2500W	250V/10A /2500W	250V/10A /2500W
<b>Housing Material</b>	Plastic	Plastic	Plastic	Plastic	Plastic
<b>AC Outlets</b>	8	8	8	8	8
<b>AC Outlet Type</b>	Italian	Italian	Italian	Italian	Italian
<b>Plug type</b>	Italian	Italian	Italian	Italian	Italian
<b>AC Cord Specs</b>	H05VV-F 3G 1.00MM <sup>2</sup> / H05VV-F 3G 1.50MM <sup>2</sup>	H05VV-F 3G 1.00MM <sup>2</sup> / H05VV-F 3G 1.50MM <sup>2</sup>	H05VV-F 3G 1.00MM <sup>2</sup> / H05VV-F 3G 1.50MM <sup>2</sup>	H05VV-F 3G 1.00MM <sup>2</sup> / H05VV-F 3G 1.50MM <sup>2</sup>	H05VV-F 3G 1.00MM <sup>2</sup> / H05VV-F 3G 1.50MM <sup>2</sup>
<b>Power Cord Length</b>	1.8m	1.8m	1.8m	1.8m	1.8m
<b>Overload Protection</b>	10 Amps	10 Amps	10 Amps	10 Amps	10 Amps
<b>Circuit Breaker Switch</b>	Yes	Yes	Yes	Yes	Yes
<b>Power Shutdown Protection</b>	Yes	Yes	Yes	Yes	Yes
<b>Max. Joules Rating</b>	2280 Joules	2280 Joules	2280 Joules	2280 Joules	2280 Joules
<b>Max. Spike Current</b>	39000A	39000A	39000A	39000A	39000A
<b>Max. Spike Voltage</b>	6500V	6000V	6000V	6000V	6000V
<b>Clamping Voltage (VPR)</b>	600V	775V	775V	775V	775V
<b>Response Time</b>	< 1 nanosecond	< 1 nanosecond	< 1 nanosecond	< 1 nanosecond	< 1 nanosecond
<b>Surge Protection Indicator</b>	Yes	Yes	Yes	Yes	Yes
<b>Wire Fault Indicator</b>	Yes	Yes	Yes	Yes	Yes
<b>EMI/ RFI Noise Filter</b>	Attenuation Up to 20 dB Freq. 150Khz to 30Mhz	Attenuation Up to 20 dB Freq. 150Khz to 30Mhz	Attenuation Up to 20 dB Freq. 150Khz to 30Mhz	Attenuation Up to 20 dB Freq. 150Khz to 30Mhz	Attenuation Up to 20 dB Freq. 150Khz to 30Mhz
<b>USB Charger</b>	N/A	N/A	N/A	N/A	N/A
<b>Phone/Network Protector</b>	N/A	RJ45 : 1 in-1 out	RJ45 : 1 in-1 out	RJ45 : 1 in-1 out	RJ45 : 1 in-1 out
<b>Coax Protection</b>	N/A	N/A	F Connector	N/A	F Connector
<b>Product Dimension</b>	L306.5xW117xH50mm	L306.5xW117xH50mm	L306.5xW117xH50mm	L306.5xW117xH50mm	L306.5xW117xH50mm