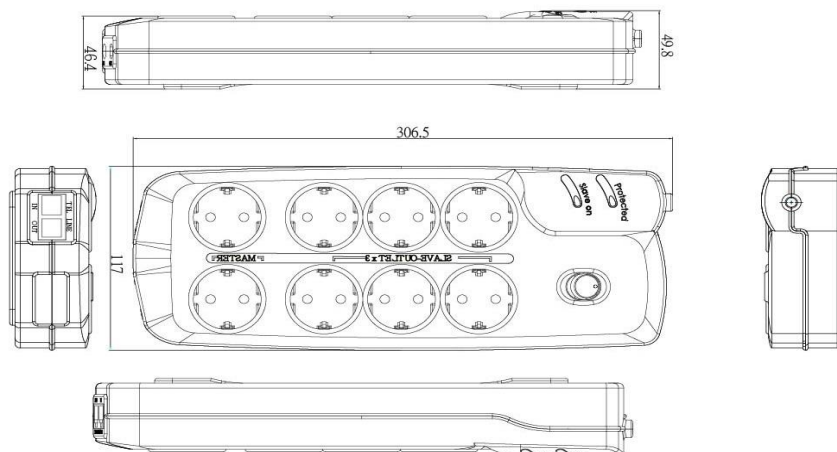


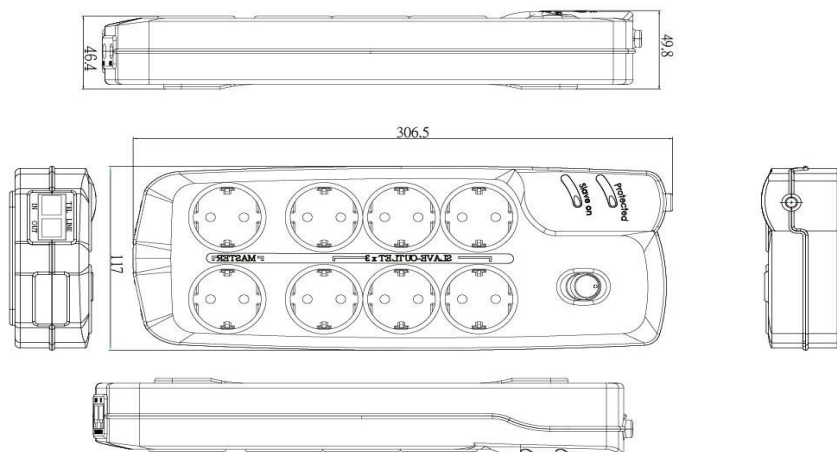
### 8 Outlet Master-Slave Surge Protector

Part No.	GB-14	GB-14J	GB-14JV	GB-14R	GB-14RV
Electrical rating	250V/10A /2500W	250V/10A /2500W	250V/10A /2500W	250V/10A /2500W	250V/10A /2500W
Housing Material	Plastic	Plastic	Plastic	Plastic	Plastic
AC Outlets	8	8	8	8	8
AC Outlet Type	schuko	schuko	schuko	schuko	schuko
Plug type	schuko	schuko	schuko	schuko	schuko
AC Cord Specs	H05VV-F 3G 1.00MM <sup>2</sup> / H05VV-F 3G 1.50MM <sup>2</sup>	H05VV-F 3G 1.00MM <sup>2</sup> / H05VV-F 3G 1.50MM <sup>2</sup>	H05VV-F 3G 1.00MM <sup>2</sup> / H05VV-F 3G 1.50MM <sup>2</sup>	H05VV-F 3G 1.00MM <sup>2</sup> / H05VV-F 3G 1.50MM <sup>2</sup>	H05VV-F 3G 1.00MM <sup>2</sup> / H05VV-F 3G 1.50MM <sup>2</sup>
Power Cord Length	1.8m	1.8m	1.8m	1.8m	1.8m
Overload Protection	10 Amps	10 Amps	10 Amps	10 Amps	10 Amps
Circuit Breaker Switch	Yes	Yes	Yes	Yes	Yes
Power Shutdown Protection	Yes	Yes	Yes	Yes	Yes
Max. Joules Rating	1140 Joules	1140 Joules	1140 Joules	1140 Joules	1140 Joules
Max. Spike Current	19500A	19500A	19500A	19500A	19500A
Max, Spike Voltage	6000V	6000V	6000V	6000V	6000V
Clamping Voltage (VPR)	775V	775V	775V	775V	775V
Response Time	< 1 nanosecond	< 1 nanosecond	< 1 nanosecond	< 1 nanosecond	< 1 nanosecond
Surge Protection Indicator	Yes	Yes	Yes	Yes	Yes
Grounded Indicator	Yes	Yes	Yes	Yes	Yes
EMI/ RFI Noise Filter	Attenuation Up to 20 dB Freq. 150Khz to 30Mhz	Attenuation Up to 20 dB Freq. 150Khz to 30Mhz	Attenuation Up to 20 dB Freq. 150Khz to 30Mhz	Attenuation Up to 20 dB Freq. 150Khz to 30Mhz	Attenuation Up to 20 dB Freq. 150Khz to 30Mhz
USB Charger	N/A	N/A	N/A	N/A	N/A
Phone/Network Protector	N/A	RJ45 : 1 in-1 out	RJ45 : 1 in-1 out	RJ45 : 1 in-1 out	RJ45 : 1 in-1 out
Coax Protection	N/A	N/A	F Connector	N/A	F Connector
Product Dimension	L306.5xW117xH49.8mm	L306.5xW117xH49.8mm	L306.5xW117xH49.8mm	L306.5xW117xH49.8mm	L306.5xW117xH49.8mm



### 8 Outlet Master-Slave Surge Protector

Part No.	FB-14	FB-14J	FB-14JV	FB-14R	FB-14RV
Electrical rating	250V/10A /2500W	250V/10A /2500W	250V/10A /2500W	250V/10A /2500W	250V/10A /2500W
Housing Material	Plastic	Plastic	Plastic	Plastic	Plastic
AC Outlets	8	8	8	8	8
AC Outlet Type	French	French	French	French	French
Plug type	French	French	French	French	French
AC Cord Specs	H05VV-F 3G 1.00MM <sup>2</sup> / H05VV-F 3G 1.50MM <sup>2</sup>	H05VV-F 3G 1.00MM <sup>2</sup> / H05VV-F 3G 1.50MM <sup>2</sup>	H05VV-F 3G 1.00MM <sup>2</sup> / H05VV-F 3G 1.50MM <sup>2</sup>	H05VV-F 3G 1.00MM <sup>2</sup> / H05VV-F 3G 1.50MM <sup>2</sup>	H05VV-F 3G 1.00MM <sup>2</sup> / H05VV-F 3G 1.50MM <sup>2</sup>
Power Cord Length	1.8m	1.8m	1.8m	1.8m	1.8m
Overload Protection	10 Amps	10 Amps	10 Amps	10 Amps	10 Amps
Circuit Breaker Switch	Yes	Yes	Yes	Yes	Yes
Power Shutdown Protection	Yes	Yes	Yes	Yes	Yes
Max. Joules Rating	1140 Joules	1140 Joules	1140 Joules	1140 Joules	1140 Joules
Max. Spike Current	19500A	19500A	19500A	19500A	19500A
Max, Spike Voltage	6000V	6000V	6000V	6000V	6000V
Clamping Voltage (VPR)	775V	775V	775V	775V	775V
Response Time	< 1 nanosecond	< 1 nanosecond	< 1 nanosecond	< 1 nanosecond	< 1 nanosecond
Surge Protection Indicator	Yes	Yes	Yes	Yes	Yes
Grounded Indicator	Yes	Yes	Yes	Yes	Yes
EMI/ RFI Noise Filter	Attenuation Up to 20 dB Freq. 150Khz to 30Mhz	Attenuation Up to 20 dB Freq. 150Khz to 30Mhz	Attenuation Up to 20 dB Freq. 150Khz to 30Mhz	Attenuation Up to 20 dB Freq. 150Khz to 30Mhz	Attenuation Up to 20 dB Freq. 150Khz to 30Mhz
USB Charger	N/A	N/A	N/A	N/A	N/A
Phone/Network Protector	N/A	RJ45 : 1 in-1 out	RJ45 : 1 in-1 out	RJ45 : 1 in-1 out	RJ45 : 1 in-1 out
Coax Protection	N/A	N/A	F Connector	N/A	F Connector
Product Dimension	L306.5xW117xH49.8mm	L306.5xW117xH49.8mm	L306.5xW117xH49.8mm	L306.5xW117xH49.8mm	L306.5xW117xH49.8mm



### 8 Outlet Master-Slave Surge Protector

Part No.	IB-14	IB-14J	IB-14JV	IB-14R	IB-14RV
Electrical rating	250V/10A /2500W	250V/10A /2500W	250V/10A /2500W	250V/10A /2500W	250V/10A /2500W
Housing Material	Plastic	Plastic	Plastic	Plastic	Plastic
AC Outlets	8	8	8	8	8
AC Outlet Type	Italian	Italian	Italian	Italian	Italian
Plug type	Italian	Italian	Italian	Italian	Italian
AC Cord Specs	H05VV-F 3G 1.00MM <sup>2</sup> / H05VV-F 3G 1.50MM <sup>2</sup>	H05VV-F 3G 1.00MM <sup>2</sup> / H05VV-F 3G 1.50MM <sup>2</sup>	H05VV-F 3G 1.00MM <sup>2</sup> / H05VV-F 3G 1.50MM <sup>2</sup>	H05VV-F 3G 1.00MM <sup>2</sup> / H05VV-F 3G 1.50MM <sup>2</sup>	H05VV-F 3G 1.00MM <sup>2</sup> / H05VV-F 3G 1.50MM <sup>2</sup>
Power Cord Length	1.8m	1.8m	1.8m	1.8m	1.8m
Overload Protection	10 Amps	10 Amps	10 Amps	10 Amps	10 Amps
Circuit Breaker Switch	Yes	Yes	Yes	Yes	Yes
Power Shutdown Protection	Yes	Yes	Yes	Yes	Yes
Max. Joules Rating	1140 Joules	1140 Joules	1140 Joules	1140 Joules	1140 Joules
Max. Spike Current	19500A	19500A	19500A	19500A	19500A
Max. Spike Voltage	6000V	6000V	6000V	6000V	6000V
Clamping Voltage (VPR)	775V	775V	775V	775V	775V
Response Time	< 1 nanosecond	< 1 nanosecond	< 1 nanosecond	< 1 nanosecond	< 1 nanosecond
Surge Protection Indicator	Yes	Yes	Yes	Yes	Yes
Grounded Indicator	Yes	Yes	Yes	Yes	Yes
EMI/ RFI Noise Filter	Attenuation Up to 20 dB Freq. 150Khz to 30Mhz	Attenuation Up to 20 dB Freq. 150Khz to 30Mhz	Attenuation Up to 20 dB Freq. 150Khz to 30Mhz	Attenuation Up to 20 dB Freq. 150Khz to 30Mhz	Attenuation Up to 20 dB Freq. 150Khz to 30Mhz
USB Charger	N/A	N/A	N/A	N/A	N/A
Phone/Network Protector	N/A	RJ45 : 1 in-1 out	RJ45 : 1 in-1 out	RJ45 : 1 in-1 out	RJ45 : 1 in-1 out
Coax Protection	N/A	N/A	F Connector	N/A	F Connector
Product Dimension	L306.5xW117xH49.8mm	L306.5xW117xH49.8mm	L306.5xW117xH49.8mm	L306.5xW117xH49.8mm	L306.5xW117xH49.8mm