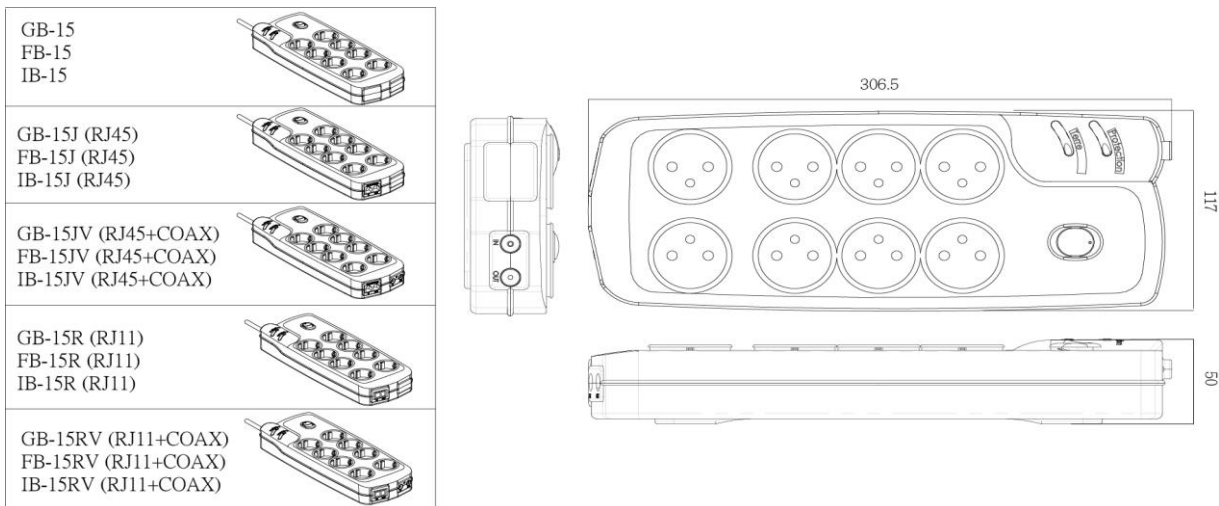


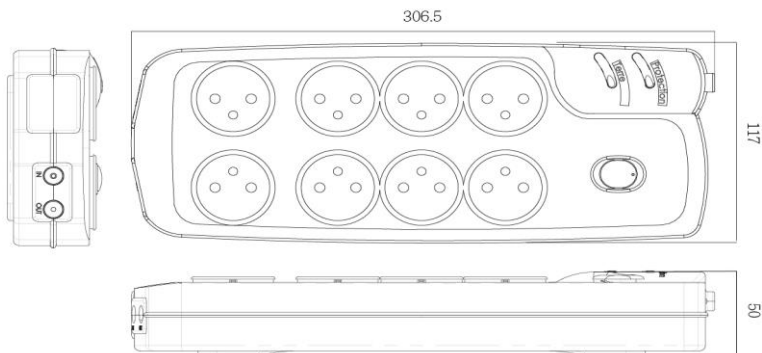
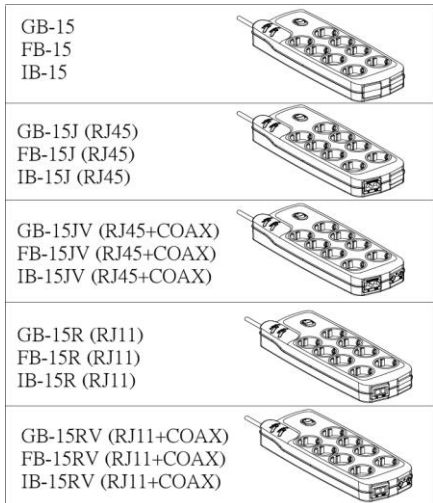
8 Outlet Overtoltage Protector

| Part No. | GB-15 | GB-15J | GB-15JV | GB-15R | GB-15RV |
|-----------------------------------|--|--|--|--|--|
| Electrical rating | 250V/10A /2500W | 250V/10A /2500W | 250V/10A /2500W | 250V/10A /2500W | 250V/10A /2500W |
| Housing Material | Plastic | Plastic | Plastic | Plastic | Plastic |
| AC Outlets | 8 | 8 | 8 | 8 | 8 |
| AC Outlet Type | schuko | schuko | schuko | schuko | schuko |
| Plug type | schuko | schuko | schuko | schuko | schuko |
| AC Cord Specs | H05VV-F 3G 1.00MM ² / H05VV-F 3G 1.50MM ² | H05VV-F 3G 1.00MM ² / H05VV-F 3G 1.50MM ² | H05VV-F 3G 1.00MM ² / H05VV-F 3G 1.50MM ² | H05VV-F 3G 1.00MM ² / H05VV-F 3G 1.50MM ² | H05VV-F 3G 1.00MM ² / H05VV-F 3G 1.50MM ² |
| Power Cord Length | 1.8m | 1.8m | 1.8m | 1.8m | 1.8m |
| Overload Protection | 10 Amps | 10 Amps | 10 Amps | 10 Amps | 10 Amps |
| Circuit Breaker Switch | Yes | Yes | Yes | Yes | Yes |
| Power Shutdown Protection | Yes | Yes | Yes | Yes | Yes |
| Max. Joules Rating | 380 Joules | 380 Joules | 380 Joules | 380 Joules | 380 Joules |
| Max. Spike Current | 6500A | 6500A | 6500A | 6500A | 6500A |
| Max. Spike Voltage | 6000V | 6000V | 6000V | 6000V | 6000V |
| Clamping Voltage (VPR) | 775V | 775V | 775V | 775V | 775V |
| Response Time | < 1 nanosecond | < 1 nanosecond | < 1 nanosecond | < 1 nanosecond | < 1 nanosecond |
| Surge Protection Indicator | Yes | Yes | Yes | Yes | Yes |
| Grounded Indicator | Yes | Yes | Yes | Yes | Yes |
| EMI/ RFI Noise Filter | Attenuation Up to 20 dB Freq. 150Khz to 30Mhz | Attenuation Up to 20 dB Freq. 150Khz to 30Mhz | Attenuation Up to 20 dB Freq. 150Khz to 30Mhz | Attenuation Up to 20 dB Freq. 150Khz to 30Mhz | Attenuation Up to 20 dB Freq. 150Khz to 30Mhz |
| USB Charger | N/A | N/A | N/A | N/A | N/A |
| Phone/Network Protector | N/A | RJ45 : 1 in-1 out | RJ45 : 1 in-1 out | RJ45 : 1 in-1 out | RJ45 : 1 in-1 out |
| Coax Protection | N/A | N/A | F Connector | N/A | F Connector |
| Product Dimension | L306.5xW117xH50mm | L306.5xW117xH50mm | L306.5xW117xH50mm | L306.5xW117xH50mm | L306.5xW117xH50mm |



8 Outlet Overtoltage Protector

| Part No. | FB-15 | FB-15J | FB-15JV | FB-15R | FB-15RV |
|-----------------------------------|--|--|--|--|--|
| Electrical rating | 250V/10A /2500W | 250V/10A /2500W | 250V/10A /2500W | 250V/10A /2500W | 250V/10A /2500W |
| Housing Material | Plastic | Plastic | Plastic | Plastic | Plastic |
| AC Outlets | 8 | 8 | 8 | 8 | 8 |
| AC Outlet Type | French | French | French | French | French |
| Plug type | French | French | French | French | French |
| AC Cord Specs | H05VV-F 3G 1.00MM ² / H05VV-F 3G 1.50MM ² | H05VV-F 3G 1.00MM ² / H05VV-F 3G 1.50MM ² | H05VV-F 3G 1.00MM ² / H05VV-F 3G 1.50MM ² | H05VV-F 3G 1.00MM ² / H05VV-F 3G 1.50MM ² | H05VV-F 3G 1.00MM ² / H05VV-F 3G 1.50MM ² |
| Power Cord Length | 1.8m | 1.8m | 1.8m | 1.8m | 1.8m |
| Overload Protection | 10 Amps | 10 Amps | 10 Amps | 10 Amps | 10 Amps |
| Circuit Breaker Switch | Yes | Yes | Yes | Yes | Yes |
| Power Shutdown Protection | Yes | Yes | Yes | Yes | Yes |
| Max. Joules Rating | 380 Joules | 380 Joules | 380 Joules | 380 Joules | 380 Joules |
| Max. Spike Current | 6500A | 6500A | 6500A | 6500A | 6500A |
| Max. Spike Voltage | 6000V | 6000V | 6000V | 6000V | 6000V |
| Clamping Voltage (VPR) | 775V | 775V | 775V | 775V | 775V |
| Response Time | < 1 nanosecond | < 1 nanosecond | < 1 nanosecond | < 1 nanosecond | < 1 nanosecond |
| Surge Protection Indicator | Yes | Yes | Yes | Yes | Yes |
| Grounded Indicator | Yes | Yes | Yes | Yes | Yes |
| EMI/ RFI Noise Filter | Attenuation Up to 20 dB Freq. 150Khz to 30Mhz | Attenuation Up to 20 dB Freq. 150Khz to 30Mhz | Attenuation Up to 20 dB Freq. 150Khz to 30Mhz | Attenuation Up to 20 dB Freq. 150Khz to 30Mhz | Attenuation Up to 20 dB Freq. 150Khz to 30Mhz |
| USB Charger | N/A | N/A | N/A | N/A | N/A |
| Phone/Network Protector | N/A | RJ45 : 1 in-1 out | RJ45 : 1 in-1 out | RJ45 : 1 in-1 out | RJ45 : 1 in-1 out |
| Coax Protection | N/A | N/A | F Connector | N/A | F Connector |
| Product Dimension | L306.5xW117xH50mm | L306.5xW117xH50mm | L306.5xW117xH50mm | L306.5xW117xH50mm | L306.5xW117xH50mm |



8 Outlet Overtoltage Protector

| Part No. | IB-15 | IB-15J | IB-15JV | IB-15R | IB-15RV |
|-----------------------------------|--|--|--|--|--|
| Electrical rating | 250V/10A /2500W | 250V/10A /2500W | 250V/10A /2500W | 250V/10A /2500W | 250V/10A /2500W |
| Housing Material | Plastic | Plastic | Plastic | Plastic | Plastic |
| AC Outlets | 8 | 8 | 8 | 8 | 8 |
| AC Outlet Type | Italian | Italian | Italian | Italian | Italian |
| Plug type | Italian | Italian | Italian | Italian | Italian |
| AC Cord Specs | H05VV-F 3G 1.00MM ² / H05VV-F 3G 1.50MM ² | H05VV-F 3G 1.00MM ² / H05VV-F 3G 1.50MM ² | H05VV-F 3G 1.00MM ² / H05VV-F 3G 1.50MM ² | H05VV-F 3G 1.00MM ² / H05VV-F 3G 1.50MM ² | H05VV-F 3G 1.00MM ² / H05VV-F 3G 1.50MM ² |
| Power Cord Length | 1.8m | 1.8m | 1.8m | 1.8m | 1.8m |
| Overload Protection | 10 Amps | 10 Amps | 10 Amps | 10 Amps | 10 Amps |
| Circuit Breaker Switch | Yes | Yes | Yes | Yes | Yes |
| Power Shutdown Protection | Yes | Yes | Yes | Yes | Yes |
| Max. Joules Rating | 380 Joules | 380 Joules | 380 Joules | 380 Joules | 380 Joules |
| Max. Spike Current | 6500A | 6500A | 6500A | 6500A | 6500A |
| Max. Spike Voltage | 6000V | 6000V | 6000V | 6000V | 6000V |
| Clamping Voltage (VPR) | 775V | 775V | 775V | 775V | 775V |
| Response Time | < 1 nanosecond | < 1 nanosecond | < 1 nanosecond | < 1 nanosecond | < 1 nanosecond |
| Surge Protection Indicator | Yes | Yes | Yes | Yes | Yes |
| Grounded Indicator | Yes | Yes | Yes | Yes | Yes |
| EMI/ RFI Noise Filter | Attenuation Up to 20 dB Freq. 150Khz to 30Mhz | Attenuation Up to 20 dB Freq. 150Khz to 30Mhz | Attenuation Up to 20 dB Freq. 150Khz to 30Mhz | Attenuation Up to 20 dB Freq. 150Khz to 30Mhz | Attenuation Up to 20 dB Freq. 150Khz to 30Mhz |
| USB Charger | N/A | N/A | N/A | N/A | N/A |
| Phone/Network Protector | N/A | RJ45 : 1 in-1 out | RJ45 : 1 in-1 out | RJ11 : 1 in-1 out | RJ11 : 1 in-1 out |
| Coax Protection | N/A | N/A | F Connector | N/A | F Connector |
| Product Dimension | L306.5xW117xH50mm | L306.5xW117xH50mm | L306.5xW117xH50mm | L306.5xW117xH50mm | L306.5xW117xH50mm |