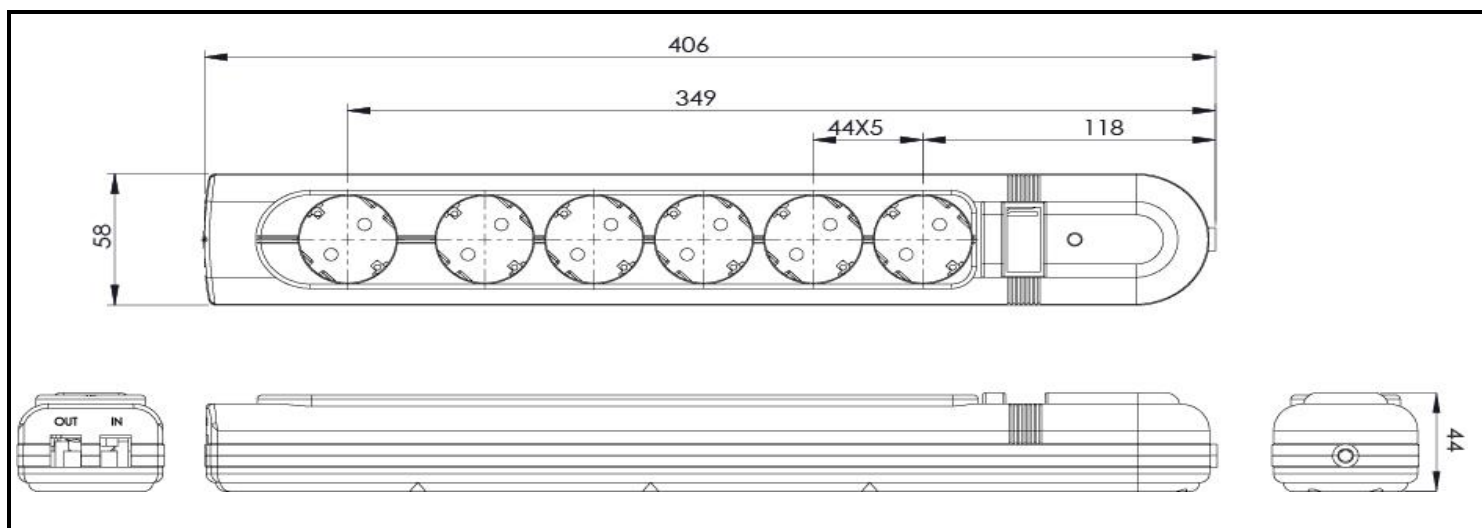


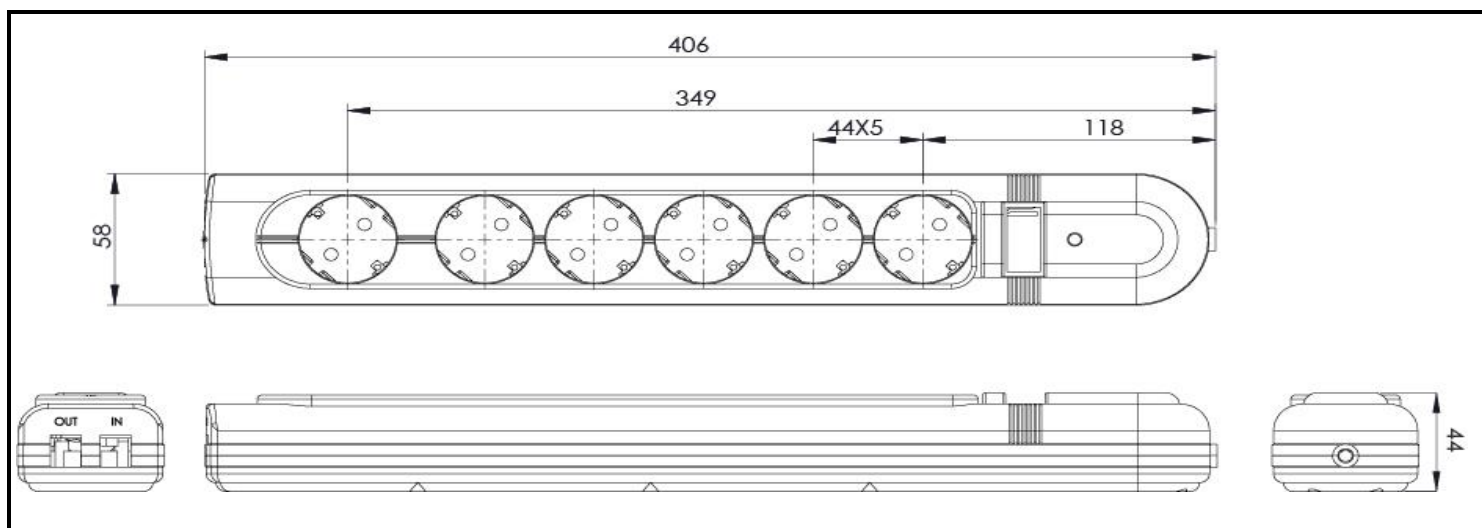
8 Outlet Overvoltage Protector

Part No.	GB-16	GB-16-1B	GB-16-3B	GB-16R-3B	GB-16J-3B
Electrical rating	250V/10A /2500W	250V/10A /2500W	250V/10A /2500W	250V/10A /2500W	250V/10A /2500W
Housing Material	Plastic	Plastic	Plastic	Plastic	Plastic
AC Outlets	6	6	6	6	6
AC Outlet Type	schuko	schuko	schuko	schuko	schuko
Plug type	schuko	schuko	schuko	schuko	schuko
AC Cord Specs	H05VV-F 3G 1.00MM ² / H05VV-F 3G 1.50MM ²	H05VV-F 3G 1.00MM ² / H05VV-F 3G 1.50MM ²	H05VV-F 3G 1.00MM ² / H05VV-F 3G 1.50MM ²	H05VV-F 3G 1.00MM ² / H05VV-F 3G 1.50MM ²	H05VV-F 3G 1.00MM ² / H05VV-F 3G 1.50MM ²
Power Cord Length	1.8m	1.8m	1.8m	1.8m	1.8m
Overload Protection	10 Amps	10 Amps	10 Amps	10 Amps	10 Amps
Circuit Breaker Switch	Yes	Yes	Yes	Yes	Yes
Power Shutdown Protection	N/A	N/A	Yes	Yes	Yes
Max. Joules Rating	N/A	380 Joules	1140 Joules	1140 Joules	1140 Joules
Max. Spike Current	N/A	6500A	19500A	19500A	19500A
Max. Spike Voltage	N/A	6000V	6000V	6000V	6000V
Clamping Voltage (VPR)	N/A	775V	775V	775V	775V
Response Time	N/A	< 1 nanosecond	< 1 nanosecond	< 1 nanosecond	< 1 nanosecond
Surge Protection Indicator	N/A	Yes	Yes	Yes	Yes
Grounded Indicator	N/A	N/A	N/A	N/A	N/A
EMI/ RFI Noise Filter	N/A	N/A	Attenuation Up to 20 dB Freq. 150Khz to 30Mhz	Attenuation Up to 20 dB Freq. 150Khz to 30Mhz	Attenuation Up to 20 dB Freq. 150Khz to 30Mhz
USB Charger	N/A	N/A	N/A	N/A	N/A
Phone/Network Protector	N/A	N/A	N/A	RJ11 : 1 in-1 out	RJ45 : 1 in-1 out
Coax Protection	N/A	N/A	N/A	N/A	N/A
Product Dimension	L406xW58xH44mm	L406xW58xH44mm	L406xW58xH44mm	L406xW58xH44mm	L406xW58xH44mm



8 Outlet Overtoltage Protector

Part No.	FB-16	FB-16-1B	FB-16-3B	FB-16R-3B	FB-16J-3B
Electrical rating	250V/10A /2500W	250V/10A /2500W	250V/10A /2500W	250V/10A /2500W	250V/10A /2500W
Housing Material	Plastic	Plastic	Plastic	Plastic	Plastic
AC Outlets	6	6	6	6	6
AC Outlet Type	French	French	French	French	French
Plug type	French	French	French	French	French
AC Cord Specs	H05VV-F 3G 1.00MM ² / H05VV-F 3G 1.50MM ²	H05VV-F 3G 1.00MM ² / H05VV-F 3G 1.50MM ²	H05VV-F 3G 1.00MM ² / H05VV-F 3G 1.50MM ²	H05VV-F 3G 1.00MM ² / H05VV-F 3G 1.50MM ²	H05VV-F 3G 1.00MM ² / H05VV-F 3G 1.50MM ²
Power Cord Length	1.8m	1.8m	1.8m	1.8m	1.8m
Overload Protection	10 Amps	10 Amps	10 Amps	10 Amps	10 Amps
Circuit Breaker Switch	Yes	Yes	Yes	Yes	Yes
Power Shutdown Protection	N/A	N/A	Yes	Yes	Yes
Max. Joules Rating	N/A	380 Joules	1140 Joules	1140 Joules	1140 Joules
Max. Spike Current	N/A	6500A	19500A	19500A	19500A
Max, Spike Voltage	N/A	6000V	6000V	6000V	6000V
Clamping Voltage (VPR)	N/A	775V	775V	775V	775V
Response Time	N/A	< 1 nanosecond	< 1 nanosecond	< 1 nanosecond	< 1 nanosecond
Surge Protection Indicator	N/A	Yes	Yes	Yes	Yes
Grounded Indicator	N/A	N/A	N/A	N/A	N/A
EMI/ RFI Noise Filter	N/A	N/A	Attenuation Up to 20 dB Freq. 150Khz to 30Mhz	Attenuation Up to 20 dB Freq. 150Khz to 30Mhz	Attenuation Up to 20 dB Freq. 150Khz to 30Mhz
USB Charger	N/A	N/A	N/A	N/A	N/A
Phone/Network Protector	N/A	N/A	N/A	RJ11 : 1 in-1 out	RJ45 : 1 in-1 out
Coax Protection	N/A	N/A	N/A	N/A	N/A
Product Dimension	L406xW58xH44mm	L406xW58xH44mm	L406xW58xH44mm	L406xW58xH44mm	L406xW58xH44mm



8 Outlet Overvoltage Protector

Part No.	IB-16	IB-16-1B	IB-16-3B	IB-16R-3B	IB-16J-3B
Electrical rating	250V/10A /2500W	250V/10A /2500W	250V/10A /2500W	250V/10A /2500W	250V/10A /2500W
Housing Material	Plastic	Plastic	Plastic	Plastic	Plastic
AC Outlets	6	6	6	6	6
AC Outlet Type	Italian	Italian	Italian	Italian	Italian
Plug type	Italian	Italian	Italian	Italian	Italian
AC Cord Specs	H05VV-F 3G 1.00MM ² / H05VV-F 3G 1.50MM ²	H05VV-F 3G 1.00MM ² / H05VV-F 3G 1.50MM ²	H05VV-F 3G 1.00MM ² / H05VV-F 3G 1.50MM ²	H05VV-F 3G 1.00MM ² / H05VV-F 3G 1.50MM ²	H05VV-F 3G 1.00MM ² / H05VV-F 3G 1.50MM ²
Power Cord Length	1.8m	1.8m	1.8m	1.8m	1.8m
Overload Protection	10 Amps	10 Amps	10 Amps	10 Amps	10 Amps
Circuit Breaker Switch	Yes	Yes	Yes	Yes	Yes
Power Shutdown Protection	N/A	N/A	Yes	Yes	Yes
Max. Joules Rating	N/A	380 Joules	1140 Joules	1140 Joules	1140 Joules
Max. Spike Current	N/A	6500A	19500A	19500A	19500A
Max. Spike Voltage	N/A	6000V	6000V	6000V	6000V
Clamping Voltage (VPR)	N/A	775V	775V	775V	775V
Response Time	N/A	< 1 nanosecond	< 1 nanosecond	< 1 nanosecond	< 1 nanosecond
Surge Protection Indicator	N/A	Yes	Yes	Yes	Yes
Grounded Indicator	N/A	N/A	N/A	N/A	N/A
EMI/ RFI Noise Filter	N/A	N/A	Attenuation Up to 20 dB Freq. 150Khz to 30Mhz	Attenuation Up to 20 dB Freq. 150Khz to 30Mhz	Attenuation Up to 20 dB Freq. 150Khz to 30Mhz
USB Charger	N/A	N/A	N/A	N/A	N/A
Phone/Network Protector	N/A	N/A	N/A	RJ11 : 1 in-1 out	RJ45 : 1 in-1 out
Coax Protection	N/A	N/A	N/A	N/A	N/A
Product Dimension	L406xW58xH44mm	L406xW58xH44mm	L406xW58xH44mm	L406xW58xH44mm	L406xW58xH44mm