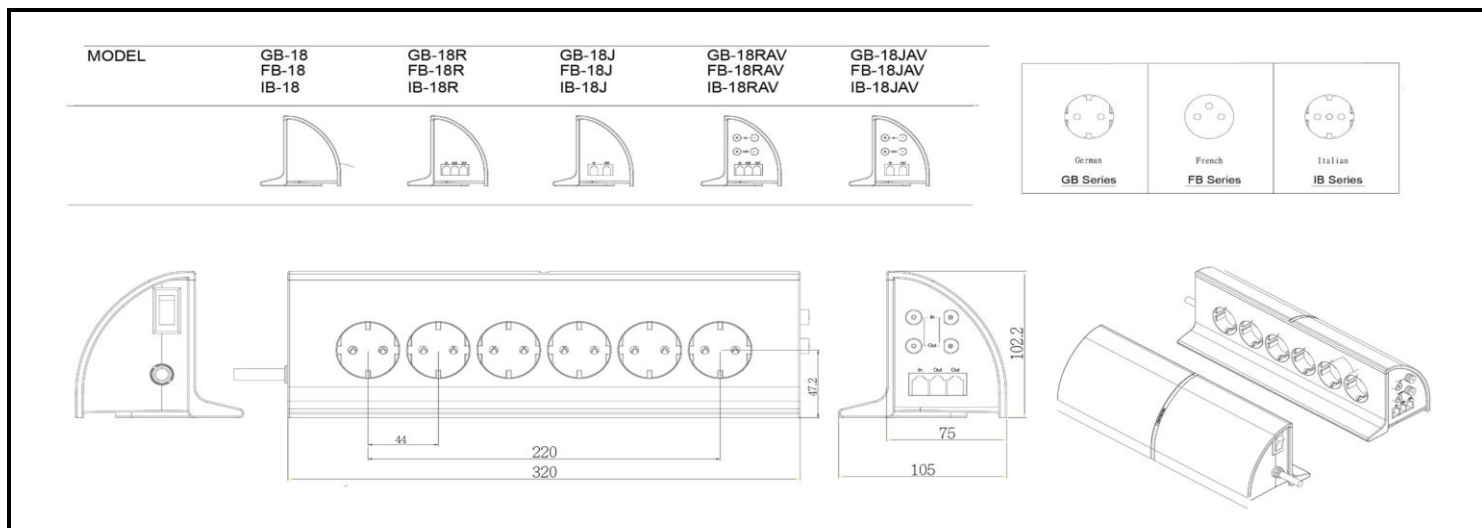


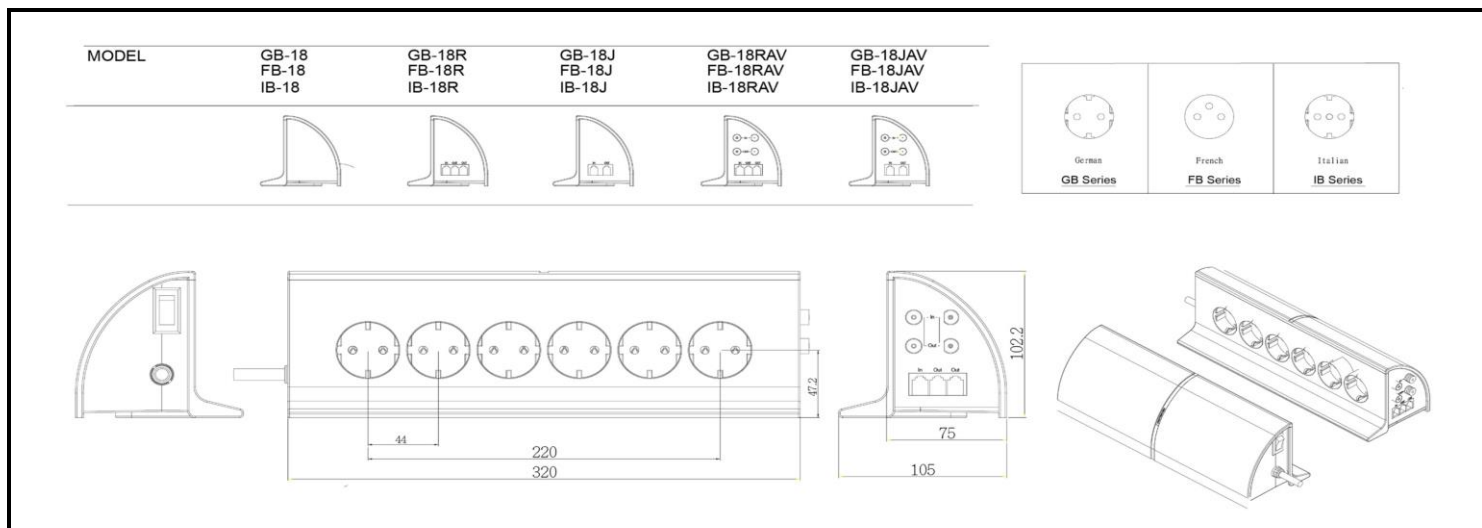
6 Outlets Advanced Power Surge Protector

Part No.	GB-18	GB-18R	GB-18RAV	GB-18J	GB-18JAV
Electrical rating	250V/10A /2500W	250V/10A /2500W	250V/10A /2500W	250V/10A /2500W	250V/10A /2500W
Housing Material	Plastic	Plastic	Plastic	Plastic	Plastic
AC Outlets	6	6	6	6	6
AC Outlet Type	schuko	schuko	schuko	schuko	schuko
Plug type	schuko	schuko	schuko	schuko	schuko
AC Cord Specs	H05VV-F 3G 1.00MM ² / H05VV-F 3G 1.50MM ²	H05VV-F 3G 1.00MM ² / H05VV-F 3G 1.50MM ²	H05VV-F 3G 1.00MM ² / H05VV-F 3G 1.50MM ²	H05VV-F 3G 1.00MM ² / H05VV-F 3G 1.50MM ²	H05VV-F 3G 1.00MM ² / H05VV-F 3G 1.50MM ²
Power Cord Length	1.8m	1.8m	1.8m	1.8m	1.8m
Overload Protection	10 Amps	10 Amps	10 Amps	10 Amps	10 Amps
Circuit Breaker Switch	Yes	Yes	Yes	Yes	Yes
Power Shutdown Protection	N/A	N/A	N/A	N/A	N/A
Max. Joules Rating	3420 Joules	3420 Joules	3420 Joules	3420 Joules	1140 Joules
Max. Spike Current	58500A	58500A	58500A	58500A	19500A
Max. Spike Voltage	6000V	6000V	6000V	6000V	6000V
Clamping Voltage (VPR)	1000V	1000V	1000V	1000V	775V
Response Time	< 1 nanosecond	< 1 nanosecond	< 1 nanosecond	< 1 nanosecond	< 1 nanosecond
Surge Protection Indicator	Yes	Yes	Yes	Yes	Yes
Grounded Indicator	N/A	N/A	N/A	N/A	N/A
EMI/ RFI Noise Filter	Attenuation Up to 60 dB Freq. 150Khz to 100Mhz	Attenuation Up to 60 dB Freq. 150Khz to 100Mhz	Attenuation Up to 60 dB Freq. 150Khz to 100Mhz	Attenuation Up to 60 dB Freq. 150Khz to 100Mhz	Attenuation Up to 20 dB Freq. 150Khz to 30Mhz
USB Charger	N/A	N/A	N/A	N/A	N/A
Phone/Network Protector	N/A	RJ11 : 1 in-2 out	RJ11 : 1 in-2 out	RJ45 : 1 in-1 out	RJ45 : 1 in-1 out
Coax Protection	N/A	N/A	F Connector	N/A	F Connector
Satellite Protection	N/A	N/A	F Connector	N/A	F Connector
Product Dimension	L320xW105xH102.2mm	L320xW105xH102.2mm	L320xW105xH102.2mm	L320xW105xH102.2mm	L320xW105xH102.2mm



6 Outlets Advanced Power Surge Protector

Part No.	FB-18	FB-18R	FB-18RAV	FB-18J	FB-18JAV
Electrical rating	250V/10A /2500W	250V/10A /2500W	250V/10A /2500W	250V/10A /2500W	250V/10A /2500W
Housing Material	Plastic	Plastic	Plastic	Plastic	Plastic
AC Outlets	6	6	6	6	6
AC Outlet Type	French	French	French	French	French
Plug type	French	French	French	French	French
AC Cord Specs	H05VV-F 3G 1.00MM ² / H05VV-F 3G 1.50MM ²	H05VV-F 3G 1.00MM ² / H05VV-F 3G 1.50MM ²	H05VV-F 3G 1.00MM ² / H05VV-F 3G 1.50MM ²	H05VV-F 3G 1.00MM ² / H05VV-F 3G 1.50MM ²	H05VV-F 3G 1.00MM ² / H05VV-F 3G 1.50MM ²
Power Cord Length	1.8m	1.8m	1.8m	1.8m	1.8m
Overload Protection	10 Amps	10 Amps	10 Amps	10 Amps	10 Amps
Circuit Breaker Switch	Yes	Yes	Yes	Yes	Yes
Power Shutdown Protection	N/A	N/A	N/A	N/A	N/A
Max. Joules Rating	3420 Joules	3420 Joules	3420 Joules	3420 Joules	1140 Joules
Max. Spike Current	58500A	58500A	58500A	58500A	19500A
Max, Spike Voltage	6000V	6000V	6000V	6000V	6000V
Clamping Voltage (VPR)	1000V	1000V	1000V	1000V	775V
Response Time	< 1 nanosecond	< 1 nanosecond	< 1 nanosecond	< 1 nanosecond	< 1 nanosecond
Surge Protection Indicator	Yes	Yes	Yes	Yes	Yes
Grounded Indicator	N/A	N/A	N/A	N/A	N/A
EMI/ RFI Noise Filter	Attenuation Up to 60 dB Freq. 150Khz to 100Mhz	Attenuation Up to 60 dB Freq. 150Khz to 100Mhz	Attenuation Up to 60 dB Freq. 150Khz to 100Mhz	Attenuation Up to 60 dB Freq. 150Khz to 100Mhz	Attenuation Up to 20 dB Freq. 150Khz to 30Mhz
USB Charger	N/A	N/A	N/A	N/A	N/A
Phone/Network Protector	N/A	RJ11 : 1 in-2 out	RJ11 : 1 in-2 out	RJ45 : 1 in-1 out	RJ45 : 1 in-1 out
Coax Protection	N/A	N/A	F Connector	N/A	F Connector
Satellite Protection	N/A	N/A	F Connector	N/A	F Connector
Product Dimension	L320xW105xH102.2mm	L320xW105xH102.2mm	L320xW105xH102.2mm	L320xW105xH102.2mm	L320xW105xH102.2mm



6 Outlets Advanced Power Surge Protector

Part No.	IB-18	IB-18R	IB-18RAV	IB-18J	IB-18JAV
Electrical rating	250V/10A /2500W	250V/10A /2500W	250V/10A /2500W	250V/10A /2500W	250V/10A /2500W
Housing Material	Plastic	Plastic	Plastic	Plastic	Plastic
AC Outlets	6	6	6	6	6
AC Outlet Type	Italian	Italian	Italian	Italian	Italian
Plug type	Italian	Italian	Italian	Italian	Italian
AC Cord Specs	H05VV-F 3G 1.00MM ² / H05VV-F 3G 1.50MM ²	H05VV-F 3G 1.00MM ² / H05VV-F 3G 1.50MM ²	H05VV-F 3G 1.00MM ² / H05VV-F 3G 1.50MM ²	H05VV-F 3G 1.00MM ² / H05VV-F 3G 1.50MM ²	H05VV-F 3G 1.00MM ² / H05VV-F 3G 1.50MM ²
Power Cord Length	1.8m	1.8m	1.8m	1.8m	1.8m
Overload Protection	10 Amps	10 Amps	10 Amps	10 Amps	10 Amps
Circuit Breaker Switch	Yes	Yes	Yes	Yes	Yes
Power Shutdown Protection	N/A	N/A	N/A	N/A	N/A
Max. Joules Rating	3420 Joules	3420 Joules	3420 Joules	3420 Joules	1140 Joules
Max. Spike Current	58500A	58500A	58500A	58500A	19500A
Max. Spike Voltage	6000V	6000V	6000V	6000V	6000V
Clamping Voltage (VPR)	1000V	1000V	1000V	1000V	775V
Response Time	< 1 nanosecond	< 1 nanosecond	< 1 nanosecond	< 1 nanosecond	< 1 nanosecond
Surge Protection Indicator	Yes	Yes	Yes	Yes	Yes
Grounded Indicator	N/A	N/A	N/A	N/A	N/A
EMI/ RFI Noise Filter	Attenuation Up to 60 dB Freq. 150Khz to 100Mhz	Attenuation Up to 60 dB Freq. 150Khz to 100Mhz	Attenuation Up to 60 dB Freq. 150Khz to 100Mhz	Attenuation Up to 60 dB Freq. 150Khz to 100Mhz	Attenuation Up to 20 dB Freq. 150Khz to 30Mhz
USB Charger	N/A	N/A	N/A	N/A	N/A
Phone/Network Protector	N/A	RJ11 : 1 in-2 out	RJ11 : 1 in-2 out	RJ45 : 1 in-1 out	RJ45 : 1 in-1 out
Coax Protection	N/A	N/A	F Connector	N/A	F Connector
Satellite Protection	N/A	N/A	F Connector	N/A	F Connector
Product Dimension	L320xW105xH102.2mm	L320xW105xH102.2mm	L320xW105xH102.2mm	L320xW105xH102.2mm	L320xW105xH102.2mm